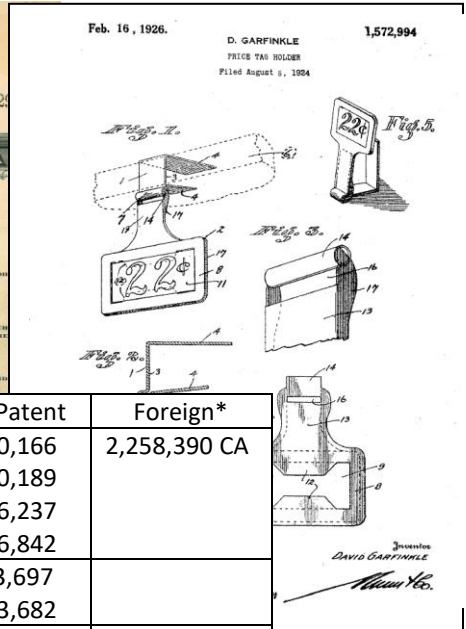
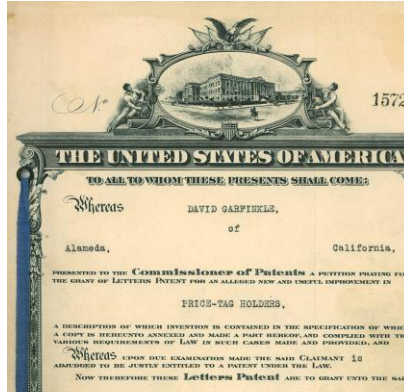


## Clamp-Swing Pricing Company

### List of Current Patents

Clamp-Swing has a long history of patented products going back to David Garfinkle's first application for his original "Clamp-Swing Price Tag Holders" in 1924. The Company has continued this tradition of developing unique products for the retail industry.



Stock Number	Description	US Patent	Foreign*
F35, F57, F711, F114, 2006, 2008, 2012, 2013, 2035, 2037, 2038, 2040, VAS8	FrameWorks Modular Sign System	6,530,166 8,220,189 8,336,237 8,756,842	2,258,390 CA
2008, VAS8, 2012	FrameWorks Stem	D623,697 9,003,682	
2006	FrameWorks Base	D610,624	
2013	FrameWorks Base	D610,623	
2038	FrameWorks Wire Adaptor	D622,699 9,126,264 9,691,310	
2040	FrameWorks Sectional Frame Adaptor	D669,135	
2042	FrameWorks Suction Cup Adaptor	D830,813	
132	FrameWorks Side-View Clamp	5,697,589	
132	FrameWorks Side-View Clamp	5,918,842	
WDM Series	SpaceSaver System	5,402,897	2,166,658 CA
WDM Series	SpaceSaver System	5,788,089	
MR Series	MonoRail Sign System	5,718,072	
HS Series	Skyline Hanging Sign System	5,666,751	
HS Series	Skyline Hanging Sign System	6,076,295	
Custom product	Price Tag Topper System	D376,623	
Custom product	Price Tag Topper, Half Circle	D424,624	
Custom product	Price Tag Topper, Half Circle w/ Stem	D428,933	
Custom product	Price Tag Topper, Pentagon	D426,583	
VX Series	Vari-Extender Shelf Extender	5,992,072	
HTC	Hussmann Tyler Moulding Clip	D432,404	90814 CA
Custom product	Dial Tag Square w/Window	D550,286	
Custom product	Dial Tag, Curved Top, No Window	D530,751	
Custom product	Dial Tag, Square, No Window	D532,827	
Custom product	Cover Tag Holder w/ Base	D569,916	
Custom product	Add-A-Line Extruded Tag Holder	D580,992 8,689,474	
HDC-1	Deli Tag Holder	D616,946	
HDT, HTDA	Deli Tag Holder, No Window, w/Back Channel	D614,239	
HDT, HTDA	Deli Tag Holder, w/Window, w/Back Channel	D614,240	
HDT, HTDA	Deli Tag Holder, No Window, No Back Channel	D614,241	
Custom product	Sell-By Dial Tag	8,816,085	
Custom product	Self-Service Tag Holder	D645,095	
HDC-1S	Hot Clip, Full Grip, Version 1	D651,256	

RPC-2	Hot Clip, Tabbed Grip	D651,527	
-------	-----------------------	----------	--

Stock Number	Description	US Patent	Foreign*
HDC-2S	Hot Clip, Full Grip, Version 2	D663,363	
Custom product	Multi-way Price Points & Cover Tags	8,561,332	
HDT, HDC	Sign System for Food Pans, Clip w/Tag Holder	8,640,875	
Custom product	Sign System for Cover Tags, Tag Holders	8,671,603	
Custom product	Embossed Price Tag	D755,895	
RMC-1	Shelf Clip for Price Tags	D748,197	
RMC-1	Shelf Clip for Price Tags	D748,733	
Custom product	Curved Card Holder	D759,758	
WHTH	Wire Handle Deli Pan Tag Holder	D768,243	
Custom product	Upright Curved Card Holder w/Moulding Clip	D855,702	

\*CA - Canada